

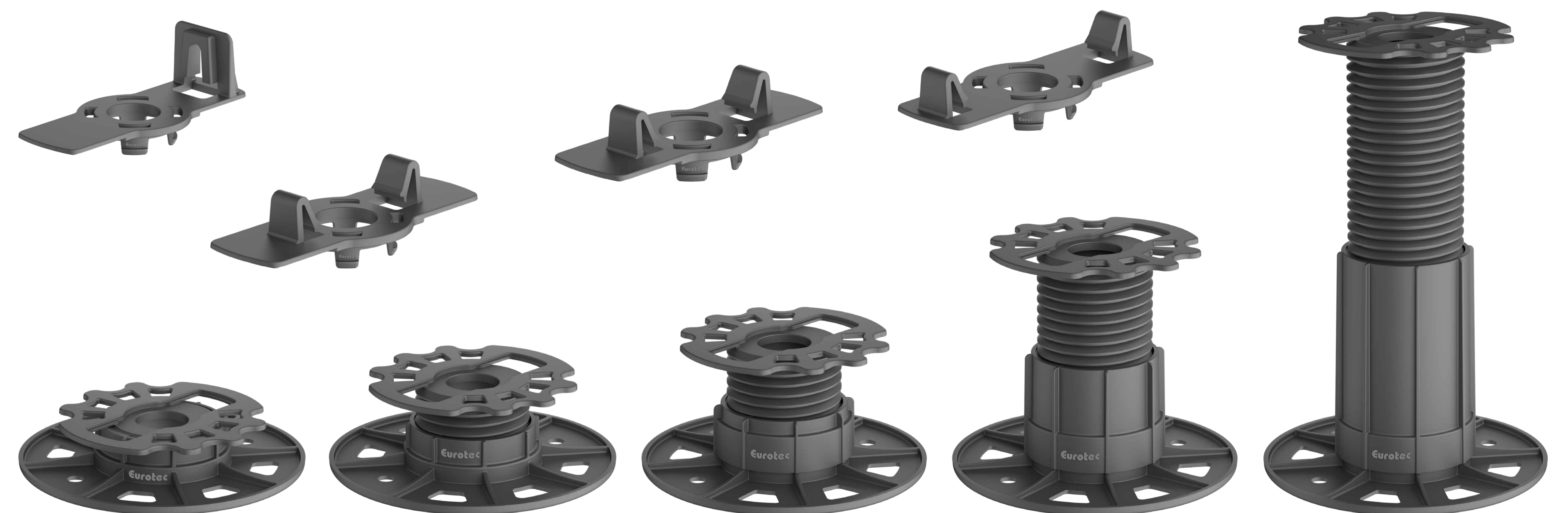
Innovative fastening systems for Your Terrace

Adjustable feet BASE-Line

Properties

- High load capacity up to 2.2 kN/term
- Easy and quick assembly
- Continuous height adjustment
- Weather, UV, insect and rot resistant
- Installation heights from 25 to 210 mm

Matching adapter for target



Invisible connection of decking boards

with decking clamp

with T-Stick

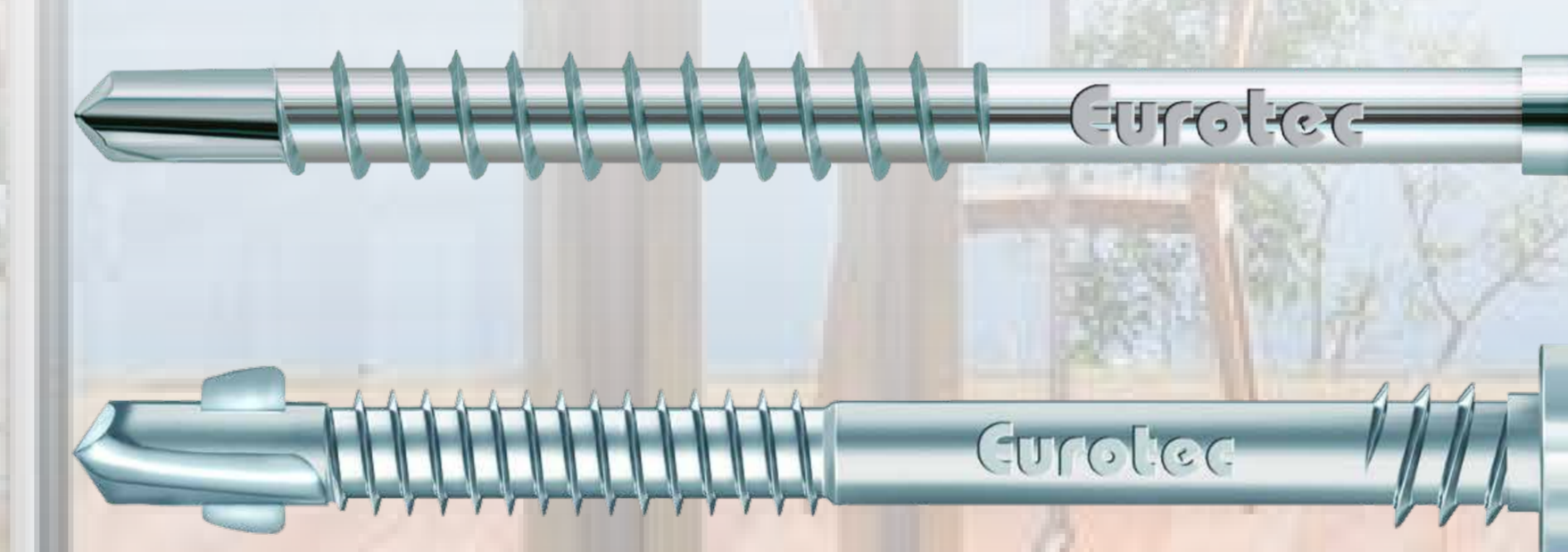


Visible connection of decking boards

with Dista skirting



with decking screws



Aluminum profiles

are an alternative to the timber underconstruction



How much do you need?

This table will help you to determine the amount.

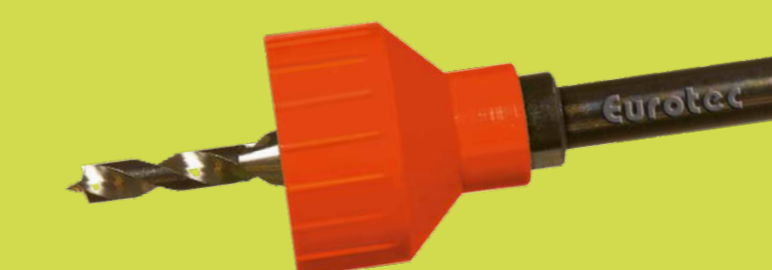
Size of terrace	Invisible connection		Visible connection			Adjustable feet and Distance wedge-cross	
	needed amount ^{a)}		needed amount ^{a)}			needed amount ^{a)}	
m x m	Decking clamp	T-Stick	Dista skirting	Terrassotec 4.0 mm for Dista skirting	Hapotec 5.0 mm Terrassotec 5.0 and 5.5 mm	BASE-Line adjustable feet ^{b)}	Pad to create air circulation
1 x 2	45	45	15	40	85	18 (24)	15 (20)
2 x 2	70	70	20	60	140	24 (36)	25 (30)
2 x 3	100	100	30	90	200	36 (54)	35 (45)
2 x 4	135	135	35	105	270	44 (66)	45 (55)
2 x 5	170	170	40	120	340	56 (84)	55 (70)
3 x 3	140	140	45	130	280	45 (81)	50 (65)
3 x 4	190	190	50	150	380	55 (99)	65 (80)
3 x 5	240	240	60	170	480	70 (126)	80 (100)
4 x 4	245	245	65	190	490	66 (121)	85 (100)
4 x 5	310	310	75	220	615	84 (154)	100 (130)
5 x 5	375	375	90	265	750	122 (182)	125 (155)

a) pitch of the lower structure 50 cm; width of the planks 145 mm

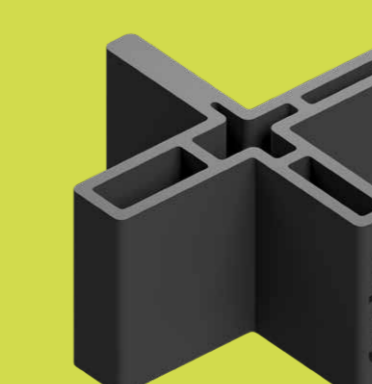
b) Size requirement depends on substructure and load capacity; 2.0 kN/m² (5.0 kN/m²); subfloor prism size 45x70 mm

Pomocné prostředky k pokládce teras

Drill-Stop



Distanční klin-kříž



Bity



Rolfi role

Pad pro vytvoření odstupu mezi konstrukcí a podkladem



Úhlový šroubový nástavec



Svěrka



Nivello 2.0

To compensate for height differences

Nivello 2.0 is a levelling pad designed for use under Eurotec adjustable targets of the Profi-Line S-XL series, to compensate for small slopes, gradients and different levels on the area to be laid.

Properties

- user-friendly handling
- flexibly adjustable inclination
 - minimum inclination: 0,5 %
 - maximum inclination: 10 %
 - adjustable inclination in 0,5 %
- click-retrieval of adjustable feet
- Nivello's large contact area saves the underconstruction (e.g. when laying on roofs and balconies)
- large contact area for stability



Warning

Not compatible with PRO XS and PRO XXS adjustable feet

How much do you need?

This table will help you to determine the amount.

SIZE of terrace	Invisible connection		Visible connection			Adjustable feet and Distance wedge-cross	
	needed amount ^{a)}		needed amount ^{a)}			needed amount ^{a)}	
m x m	Decking clamp	T-Stick	Dista skirting	Terrassotec 4.0 mm for Dista skirting	Hapatec 5,0 mm Terrassotec 5,0 and 5,5 mm	BASE-Line adjustable feet ^{b)}	Pad to create air circulation
1 x 2	45	45	15	40	85	18 (24)	15 (20)
2 x 2	70	70	20	60	140	24 (36)	25 (30)
2 x 3	100	100	30	90	200	36 (54)	35 (45)
2 x 4	135	135	35	105	270	44 (66)	45 (55)
2 x 5	170	170	40	120	340	56 (84)	55 (70)
3 x 3	140	140	45	130	280	45 (81)	50 (65)
3 x 4	190	190	50	150	380	55 (99)	65 (80)
3 x 5	240	240	60	170	480	70 (126)	80 (100)
4 x 4	245	245	65	190	490	66 (121)	85 (100)
4 x 5	310	310	75	220	615	84 (154)	100 (130)
5 x 5	375	375	90	265	750	122 (182)	125 (155)

a) pitch of the lower structure 50 cm; width of the planks 145 mm

b) Size requirement depends on substructure and load capacity; 2.0 kN/m² (5.0 kN/m²); subfloor prism size 45x70 mm